

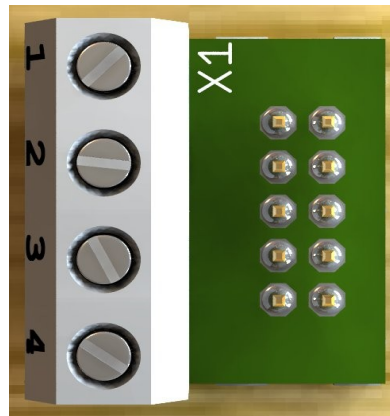


Bernd Karle Hard- und Softwareentwicklung  
 Blauenweg 6  
 79379 Müllheim, Germany  
 Phone: +49 (0)7631-172375  
 E-Mail: [info@casino-software.de](mailto:info@casino-software.de)  
 Web: <https://www.casino-software.de>

## Adapter ND-300 v1.03

The ND-300 adapter can be plugged into the CASH-Interface2 HOPPER connector. It offers the hopper's motor run pin (OUT) and empty sensor (IN) so you can connect easily a ND-300 bill dispenser and use it in hopper mode.

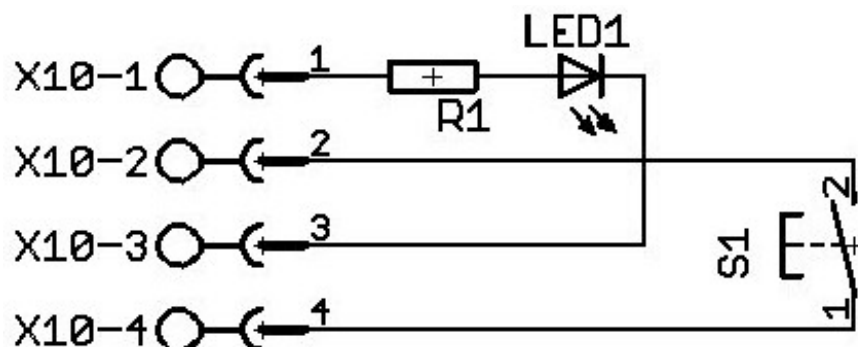
The adapter can also be used to have an extra INPUT and OUTPUT for the CASH-Interface2 if there is no hopper connected. For example we use this for our photo booth [control software](#) to have external illuminated push buttons.



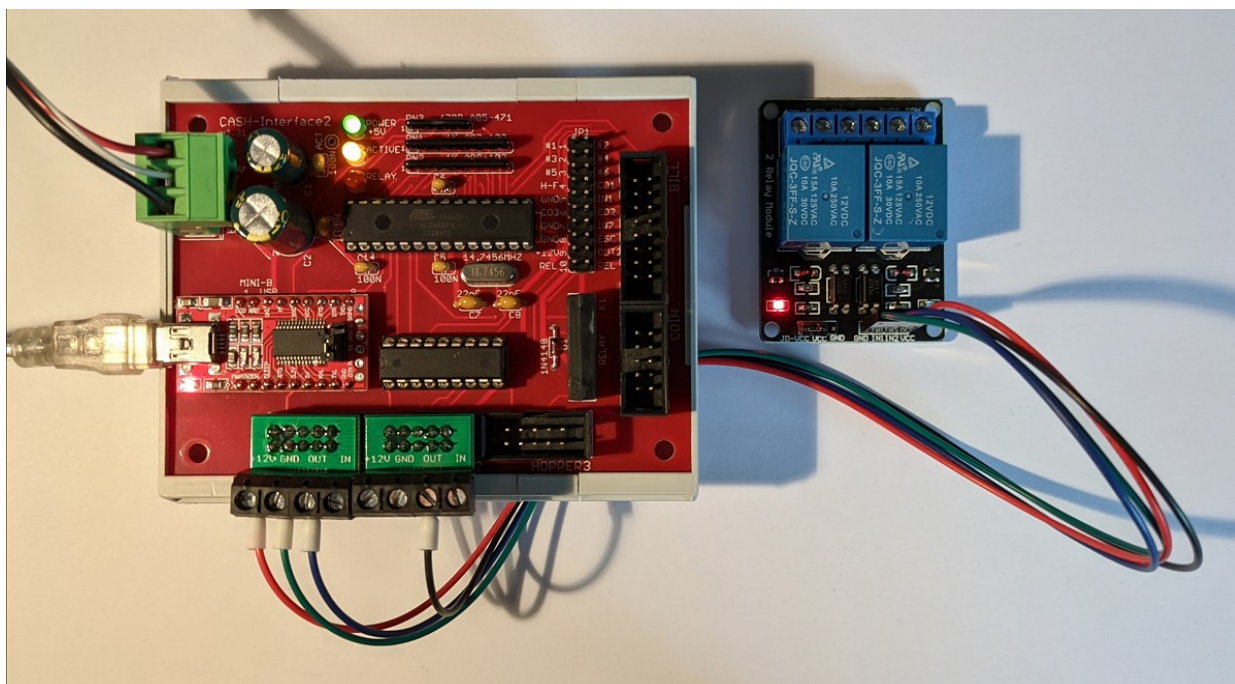
### Occupation of the 4 pole plug:

Usage:	ND-300	PHOTO BOOTH	CUBE MKII (driver cable)
1 = +12V DC	GRAY	ILLUMINATION +	RED
2 = GND	BLACK	START button	BLACK
3 = Motor	ORANGE	ILLUMINATION -	WHITE (RUN)
4 = Empty	GREEN	START button	ORANGE (COIN)

### Connection of an illuminated push button:



## CASH-Interface2 with ND-300 adapter + external relays:



We offer relays and several other equipment in our web shop at:  
<http://www.casino-software.de/shop>